

TV Mount

TVM2



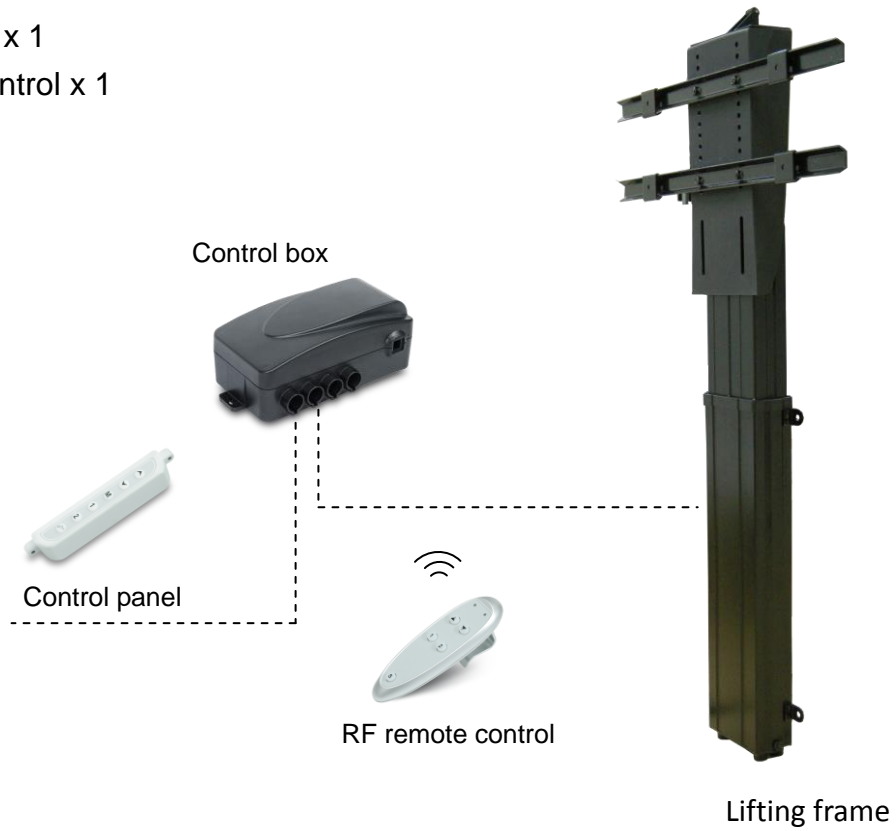
Features

- ◆ TVM2 is designed for lifting TV panel with maximum size of 60". The kit includes a lifting frame, a wired control panel, a RF remote control and a control box.
- ◆ Main applications : Motorized TV Mount
- ◆ Input voltage : 120V AC / 230V AC
- ◆ Suitable for Max. : 60" TV
- ◆ Max. load : 60 Kg
- ◆ Max. speed at no load : 30 mm/sec
- ◆ Max. speed at full load : 20 mm/sec @ 60 Kg load
- ◆ Stroke : 610 / 780 / 914 mm
- ◆ 2.4 GHz wireless technology
- ◆ Remote range : 7m max.
- ◆ 2 Memory positions
- ◆ Color : black
- ◆ DC power cable of lifting frame : Straight, 600mm, DIN plug
- ◆ AC power cable of control box : Straight, 3000mm
- ◆ Certified : ETSI EN 300 440-1 V1.6.1 / ETSI EN 300 440-2 V1.4.1
EN 62479 / EN60335-1 / ETSI EN 301 489-1 V1.9.2 / ETSI EN 301 489-1 V1.4.1

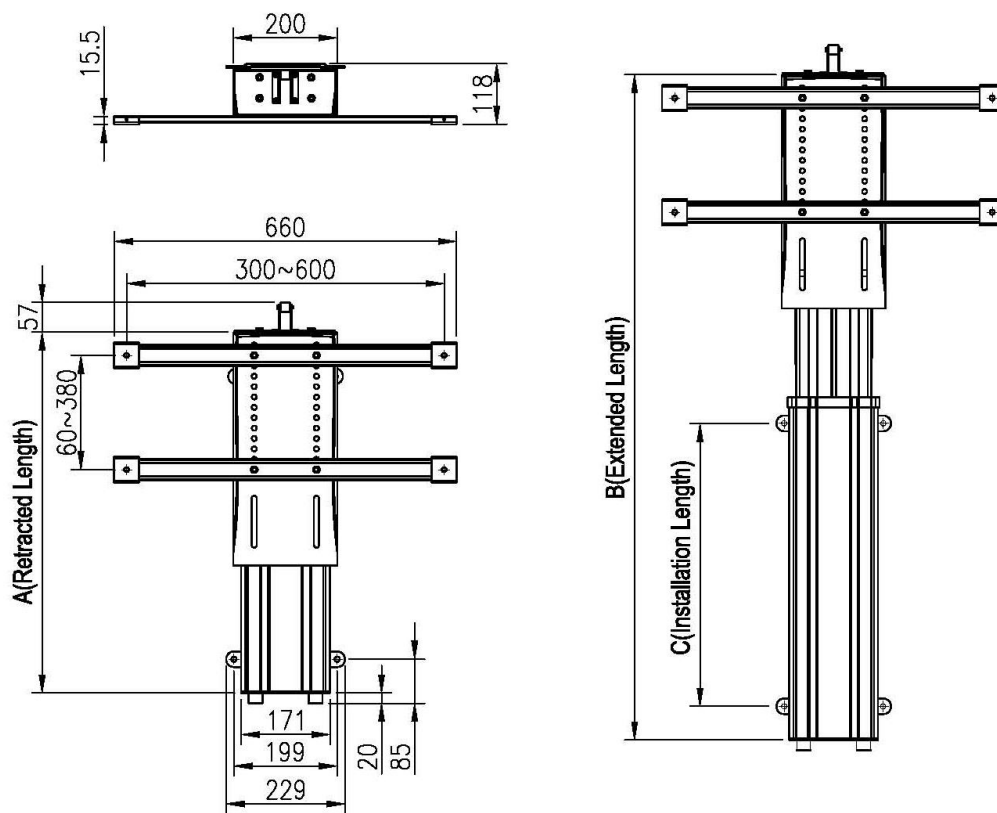
Set combination

TVM2 kit includes:

- ◆ Lifting frame x 1
- ◆ Control box x 1
- ◆ Control panel x 1
- ◆ RF remote control x 1



Dimensions



Unit: mm

	Stroke	610mm	780mm	914mm
A	Retracted dimension	570mm	685mm	795mm
B	Extended dimension	1180mm	1465mm	1709mm
C	Installation dimension	430mm	545mm	650mm

Ordering Key

TVM2 - -

Input Voltage

120 : 120V AC

230 : 230V AC

Stroke

610 : 610mm

780 : 780mm

914 : 914mm

Terms of Use

The user is responsible for determining the suitability of MOTECK products for specific applications. Due to continuous development in order to improve its products, MOTECK products are subject to frequent modifications and changes without prior notice. MOTECK reserves the right to discontinue the sale of any products displayed on its website or listed in its catalogue or other written materials drawn up by MOTECK.

MO-IND-3-T-001-150410A